



TECHNICAL SPECIFICATIONS

BETA ENERJİ VE TEKNOLOJİ ANONİM ŞİRKETİ
Acıdereosb Mah. Çanakkale Cd. No: 11
Sarıçam / ADANA - Tel: 444 21 01
Faks: 0 322 394 42 53 - Mersis: TR330000015623900001
Yüreğir V.D. 659 115 6239

BSA.24.10

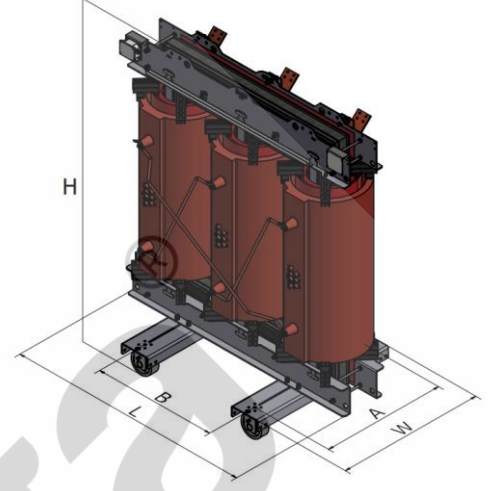
CAST RESIN TRANSFORMER

Elc. Eng. Mehmet DÜVERLİOĞLU

29.02.2024

ELECTRICAL DATA

Standards:	IEC 60076-11	
Service:	Distribution	
Rated Power	1600	kVA
Primary Side:		
Rated Voltage	10	kV
Voltage Tappings	$\pm 2 \times 2.5\%$	
Rated Current	92,38	A
Connection	Delta	
Secondary Side:		
Rated Voltage	0,4	kV
Rated Current	2309,40	A
Connection	Star + N	
No Load Loss (Ecodesign Tier-1)	2200	W
Load Loss at 120°C (Ecodesign Tier-1)	13000	W
Short Circuit Impedance at 120°C (\pm IEC tolerances)	6	%
Sound Pressure Level	68	dB
Partially Discharge Level	≤ 10	pC
Number of Phase	3	
Frequency	50	Hz
Vector Group	Dyn11	
Insulating Class (Primary/Secondary)	F/F	
Maximum Temperature Rise of Windings	100	K
Cooling Method	AN	
Conductor Material (Primary/Secondary)	AL/AL	
Insulation Level of Primary Side	12/28/75	kV
Insulation Level of Secondary Side	1,1/3/-	kV
Classes:		
Climatic	C2	
Environmental	E2	
Fire	F1	
Altitude	1000	m
Location	Indoor	
Enclosure		
Protection Class	IP00	
Material	-	
Thickness of Steel Sheet	-	
Thickness of Coating	-	
Colour	-	
Enclosure Weight	-	



DIMENSIONS

Length	L	1692	mm
Width	W	1020	mm
Height	H	2079	mm
Wheels Center	AxB	820x820	mm
Wheels Diameter		160	mm
Transformer Weight		3650	kg
Total Weight		3650	kg

*Dimensions and weight are $\pm 10\%$ tolerated.

INCLUDED ACCESSORIES

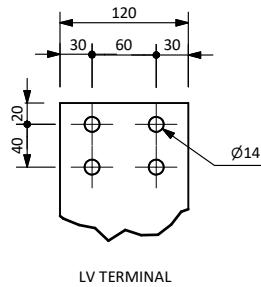
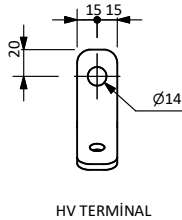
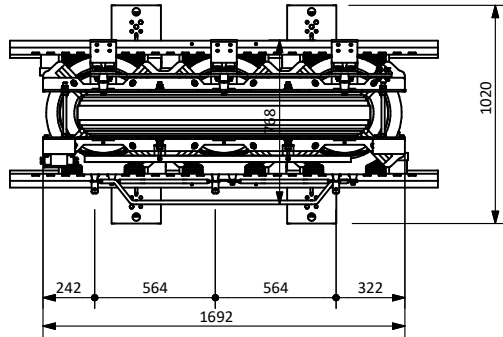
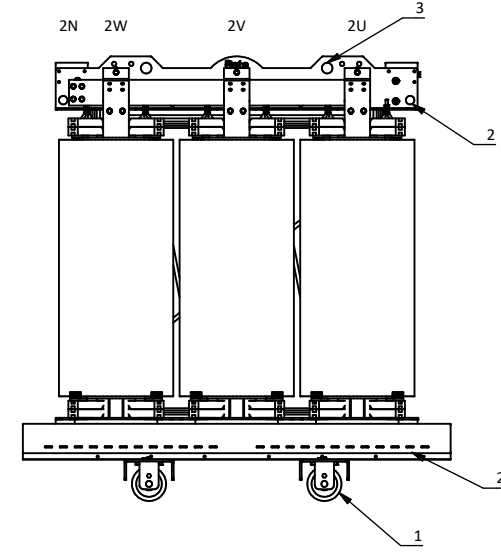
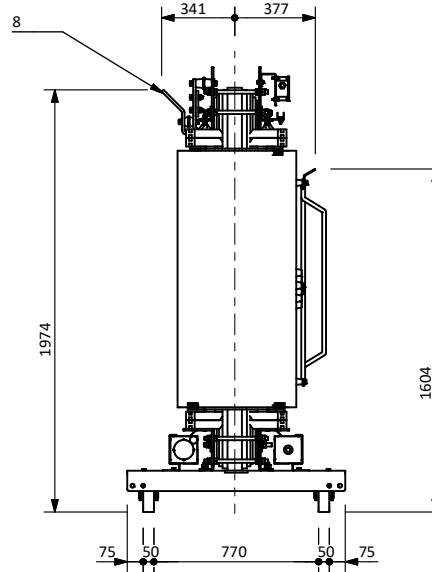
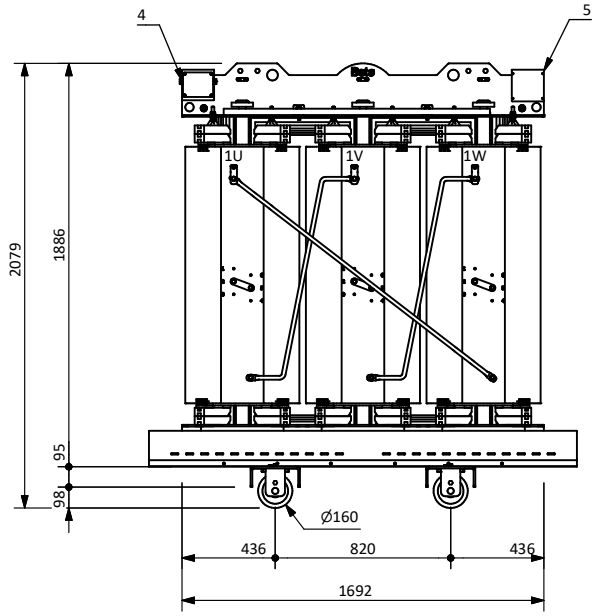
PT100 temperature sensors
PT100 distribution box IP55
Temperature Controller Relay
Wheels (Adjustable in two ways)
Rating Plate
Earthing terminal
Eyebolts for horizontal moving
Lifting Lugs
Use and Maintenance Manuel
Routine Test Report

Technical Remarks: Tolerance and tests according to IEC 60076 (if not otherwise indicated)

Dimensions and weight are approximate and will be confirmed after PO

Warranty referred at nominal power rating and nominal voltage ratio (the highest in case of double primary voltages)

Sound pressure level referred at 1000 mm with AN and +3 dB tolerance



- 1- WHEEL
- 2- PULLING LUG D=40
- 3- LIFTING LUG D=50
- 4- PT100 TERMINAL BOX
- 5- NAMEPLATE
- 6- HV TERMINAL
- 7- HV TAP LINK
- 8- LV TERMINAL

TOTAL MASS = 3650 kg.

BETA ENERJİ VE TEKNOLOJİ ANONİM ŞİRKETİ
 Acıdere Sok. Mah. Çanakkale Cad. No: 11
 Sarıyeri / ADANA - Tlf: 444 77 01
 Faks: 0 322 394 42 55 - Mersis No: 0889115023900001
 Yüreğir V.D. 859 115 6239

00	29.2.2024	ALPER BİLİCİ	ALPER BİLİCİ	First Issue
Revision	Date	Prepared	Checked	Description
Project :				Title
1600 kVA 10/0.4 kV Dyn11				Dimensional Drawing
All dimensions are in mm. Dimensions are Toleranced \pm %10				Drawing No
Scale: A3				Page
				Total Page